

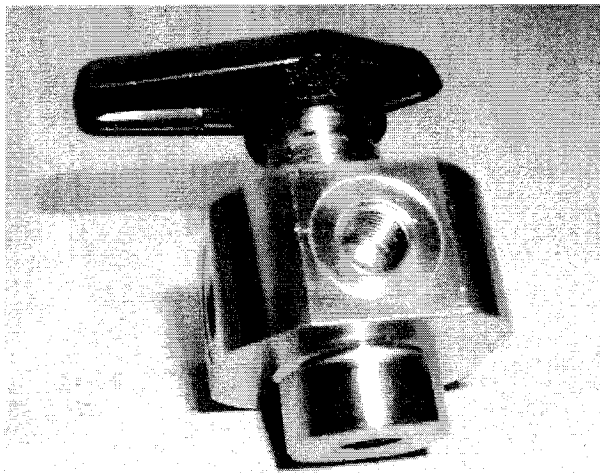


Ball Valves (MB6X5 Series)

Bulletin 4121-MB6X5
May 2002

Introduction

Parker MB Series 5-way Ball Valves offer four port stream selection in chemical, petrochemical, oil & gas, and instrumentation applications. The unique one-piece seat/packing design insures excellent sealing characteristics while accommodating a superior temperature range and cycle life.



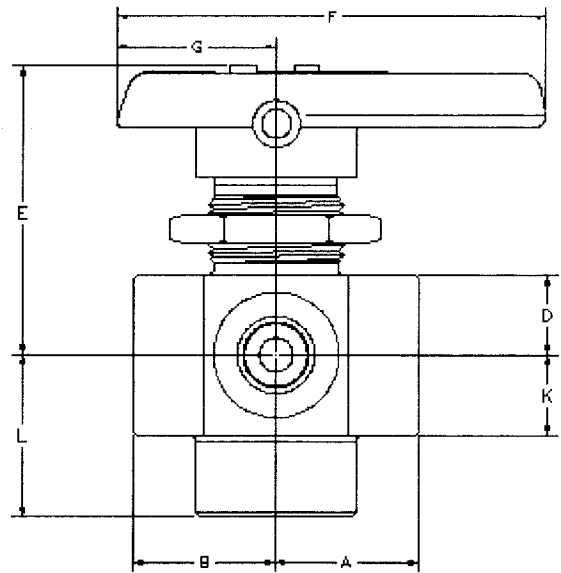
Features

- One piece seat/packing design
- Broad temperature range
- Coated metal inserts
- One piece stem/ball
- Ball location detents to select media flow
- U.S. Patent No. 5,730,420
- 100% factory tested

Specifications

- Pressure Rating: 2500 psig* (172 bar) CWP
- Temperature Rating: -65 °F to 300 °F (-54 °C to 149 °C)
- Body Configuration: Five-way Selector
- Body Material: Stainless steel
- Port Connections: 1/8" FNPT, CPI™, and A-LOK®

* Preset from factory to 1000 psig (69 bar) bubble tight service. Packing nut must be tightened to achieve higher pressures.



H - Maximum Panel Thickness
I - Panel Hole Diameter

Dimensions

Port Size	Basic Part No.	Flow Data				End Connections		Dimensions Inches (mm)									
		Orifice		C_v	X_T^*	Port 1	Port 2	A	B	D	E	F	G	H	I	K	L
Inch	mm	1/8" Inverted A-LOK®	1/8" Inverted CPI™														
2A	MB6X5	0.093	2.4	0.18	0.48	1/8" Inverted A-LOK®	0.98	0.98	0.44	1.57	2.37	0.88	0.25	0.77	0.44	0.97	
2Z		1/8" Inverted CPI™	(24.9)	(24.9)	(24.6)												
2F		1/8" Female NPT	0.125	3.2	0.34	0.45	0.78	0.78									(11.2)

* Tested in accordance with ISA S75.02. Gas flow will be choked when $P_1 - P_2 / P_1 = x_T$.
For CPI™ and A-LOK®, dimensions A and B are measured with nuts in the finger tight position

Parker Instrumentation

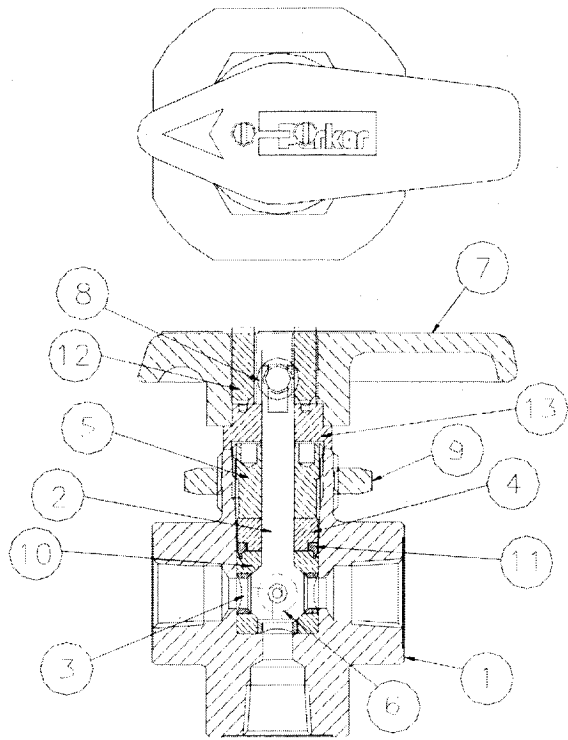
Parker Hannifin Corporation
Instrumentation Valve Division
Jacksonville, Alabama

MB6X5 Series Ball Valve

Materials of Construction

Item #	Part Description	Material
1	Body	ASTM A 276 Type 316
2	Stem	ASTM A 276 Type 316
3	Hollow Insert	316 Stainless Steel
4	Packing Washer	ASTM B 16 Alloy C36000
5	Packing Nut	ASTM A 479 Type 316
6	Hollow Insert	316 Stainless Steel
7	Handle	Nylon 6/6
8	Set Screw	Stainless Steel
9	Panel Nut	316 Stainless Steel
10	Seat/Packing	Perfluoroalkoxy (PFA)
11	Packing Ring	ASTM A 479 Type 316
12	Ball Detent	Stainless Steel
13	Selector Plate	Nickel Plated Steel

Lubrication: Perfluorinated Polyether



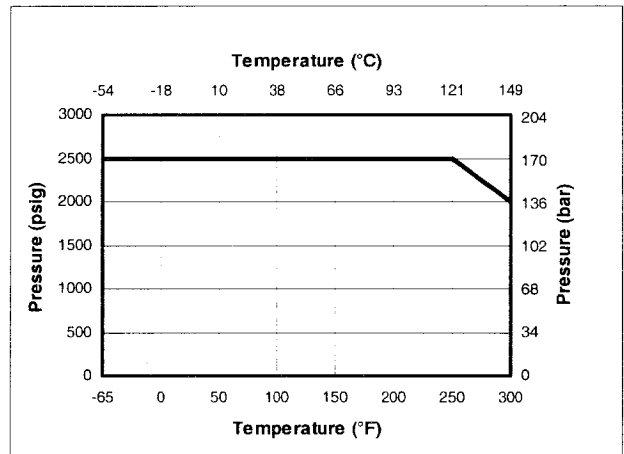
How to Order

The correct part number is easily derived by following the circled number sequence.

Example: 2 7 - MB6X5PFA - SSP

Describes a MB6 Series 5-way pattern ball valve, with 1/8" inverted CPI™ compression end connections for ports 1 and 2, spring loaded PCTFE seats, fluorocarbon rubber seals, and stainless steel body construction.

Pressure vs. Temperature



1 End Connection	2 Valve Series	3 Seat Material	4 Body Material
2F - 1/8" Female NPT 2Z7 - 1/8" Inverted CPI™ 2A7 - 1/8" Inverted A-LOK®	MB6X5	PFA - Perfluoroalkoxy	SSP - Stainless Steel (Stainless Steel with Stainless Steel Panel Nut)

How to Order Options

Colored Handles – Add the designator corresponding to the correct handle as a suffix to the part number:

W – white, **B** – blue, **G** – green, **R** – red, **Y** – yellow. **Example:** 2F-MB6X5PFA-SSP-R

Stainless Steel Handles – Add the suffix **-ST** to the part number. **Example:** 2A7-MB6X5PFA-SSP-ST



Parker Hannifin Corporation
Instrumentation Valve Division
2651 Alabama Highway 21 North
Jacksonville, AL 36265-9681
Phone: (256) 435-2130
Fax: (256) 435-7718
www.parker.com/ivd