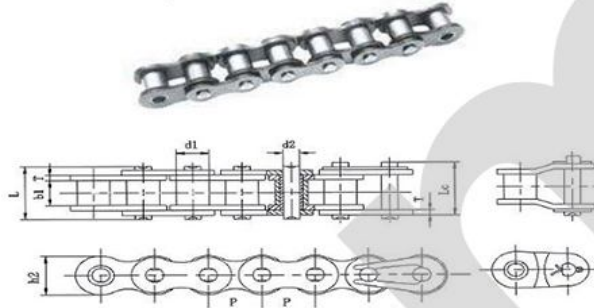




JAHAN SANAT MOHAMMADI CO.,LTD.

CATALOG

Short pitch transmission precision roller chains(A series)
Simplex roller chains&bushing chains



DIN ISO Chain No.	ANSI Chain No.	Pitch	Roller diameter	Width Between inner plates	Pin diameter	Pin length		Inner Plate depth	Plate thickness	Ultimate tensile strength	Average tensile strength	Weight permeter
		P	d1 max	b1 min	d2 max	L max	Lc max	h2 max	T max	Q min	Q _o	q
		mm	mm	mm	mm	mm	mm	mm	mm	kN	kN	kg/m
*03C	*15	4.7625	2.48	2.38	1.62	6.10	6.90	4.30	0.60	1.80	2.0	0.08
*04C-1	*25	6.350	3.30	3.18	2.31	7.90	8.40	6.00	0.80	3.50	4.6	0.15
*06C-1	*35	9.525	5.08	4.77	3.58	12.40	13.17	9.00	1.30	7.90	10.8	0.33
085-1	41	12.700	7.77	6.25	3.58	13.75	15.00	9.91	1.30	7.90	10.8	0.33
08A-1	40	12.700	7.95	7.85	3.96	16.60	17.80	12.00	1.50	14.10	17.5	0.62
10A-1	50	15.875	10.16	9.40	5.08	20.70	22.20	15.09	2.03	22.20	29.4	1.02
12A-1	60	19.050	11.91	12.57	5.94	25.90	27.70	18.00	2.42	31.80	41.5	1.50
16A-1	80	25.400	15.88	15.75	7.92	32.70	35.00	24.00	3.25	56.70	69.4	2.60
20A-1	100	31.750	19.05	18.90	9.53	40.40	44.70	30.00	4.00	88.50	109.2	3.91
24A-1	120	38.100	22.23	25.22	11.10	50.30	54.30	35.70	4.80	127.00	156.3	5.62
28A-1	140	44.450	25.40	25.22	12.70	54.40	59.00	41.00	5.60	172.40	212.0	7.50
32A-1	160	50.800	28.58	31.55	14.27	64.80	69.60	47.80	6.4	226.80	278.9	10.10
36A-1	180	57.150	35.71	35.48	17.46	72.80	78.60	53.60	7.20	280.20	341.8	13.45
40A-1	200	63.500	39.68	37.85	19.85	80.30	87.20	60.00	8.00	353.80	431.6	16.15
48A-1	240	76.200	47.63	47.35	23.81	95.50	103.00	72.39	9.50	510.30	622.5	23.20

JAHAN SANAT MOHAMMADI CO.,LTD.

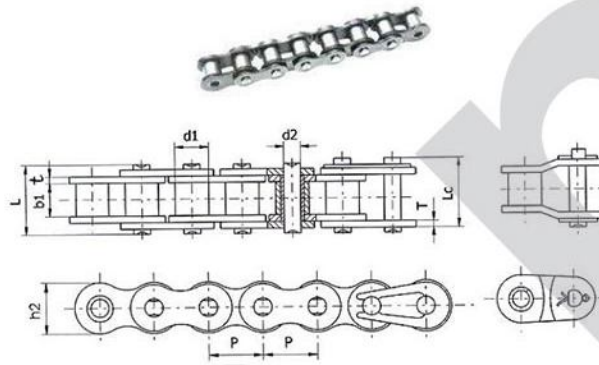


بازرگانی جهان صنعت محمدی

CATALOG

Short pitch transmission precision roller chains(B series)

Simplex roller chains



DIN ISO Chain No.	Pitch	Roller diameter	Width Between inner plates	Pin diameter	Pin length		Inner Plate depth	Plate thickness	Ultimate tensile strength	Average tensile strength	Weight per meter
	P	d1 max	d2 min	d2 max	L max	Lc max	h2 max	T max	Q min	Q ₀	q
	mm	Mm	mm	mm	mm	mm	mm	mm	kN	kN	kg/m
04B-1	6.000	4.00	2.80	1.85	6.80	7.8	5.00	0.60	3.0	3.2	0.11
05B-1	8.000	5.00	3.00	2.31	8.20	8.9	7.10	0.80	5.0	5.9	0.20
*06B-1	9.525	6.35	5.72	3.28	13.15	14.1	8.20	1.30	9.0	10.4	0.41
08B-1	12.700	8.51	7.75	4.45	16.70	18.2	11.80	1.60	18.0	19.4	0.69
10B-1	15.875	10.16	9.65	5.08	19.50	20.9	14.70	1.70	22.4	27.5	0.93
12B-1	19.050	12.07	11.68	5.72	22.50	24.4	16.00	1.85	29.0	32.2	1.15
16B-1	25.400	15.88	17.025	8.28	36.10	37.4	21.00	4.15/3.1	60.0	72.8	2.71
20B-1	31.750	19.05	19.56	10.19	41.30	45.0	26.40	4.5/3.5	95.0	106.7	3.70
24B-1	38.100	25.40	25.40	14.63	53.40	57.8	33.20	6.0/4.8	160.0	178.0	7.10
28B-1	44.450	27.94	30.99	15.90	65.10	69.58	36.70	7.5/6.0	200.0	222.0	8.50
32B-1	50.800	29.21	30.99	17.81	66.00	71.0	42.00	7.0/6.0	250.00	227.5	10.25
40B-1	63.500	39.37	38.10	22.89	82.20	89.2	52.96	8.5/8.0	355.0	394.0	16.35
48B-1	76.200	48.26	45.72	29.24	99.10	107.0	63.80	12/10	560.0	621.6	25.00