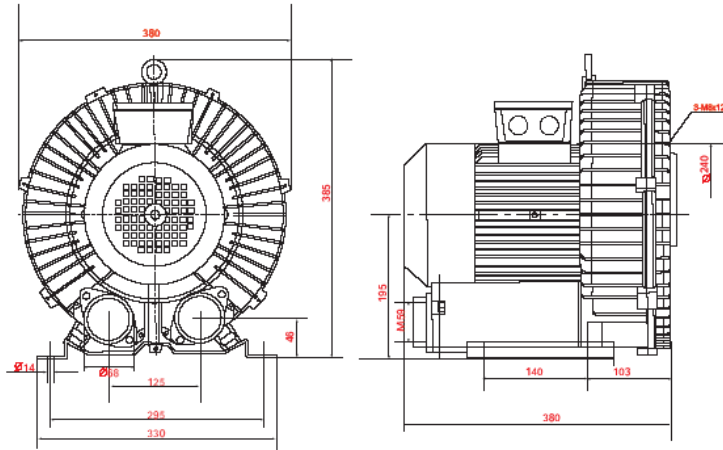
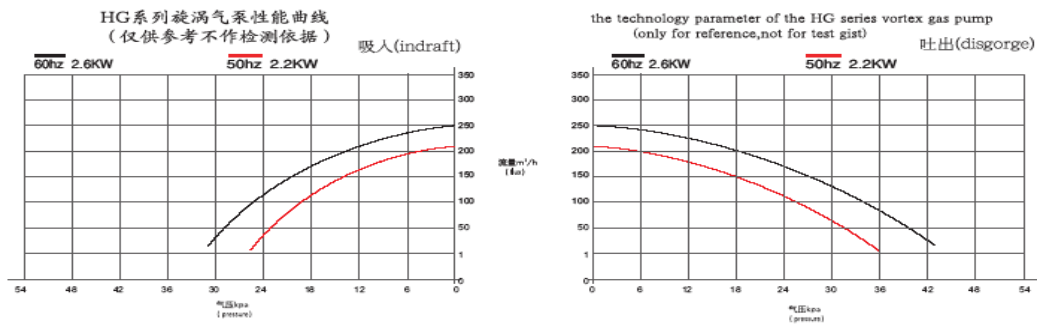


HG-2200SB



POSITION OF BEARING (FRONT MODEL): MIDDLE 6206 (BEARING MODEL); BACK 6205 (BEARING MODEL)



When ordering please indicate voltage and periodicity (any voltage are also ok)

| Type | Voltage V | Current A | Frequency Hz | Max. air pressure kPa | Max. flux m ³ /h | Max. vacuum degree -kPa | Power kW | Rotary speed r/min | Noise dB(A) | N.W. kg | G.W. kg | box up volumn cm ³ |
|-----------|--------------|---------------------------|--------------|-----------------------|-----------------------------|-------------------------|----------|--------------------|-------------|---------|---------|-------------------------------|
| HG-2200SB | Δ220 Y380 | 8.52(10.22) 4.92(5.91) | 50(60) | 36(43) | 210(250) | 26(31) | 2.2(2.6) | 2800 (3400) | <70 | 33.8 | 35.3 | 47×42×49 |

The data are only for reference in the form the factory does not issue a separate notice to data modification