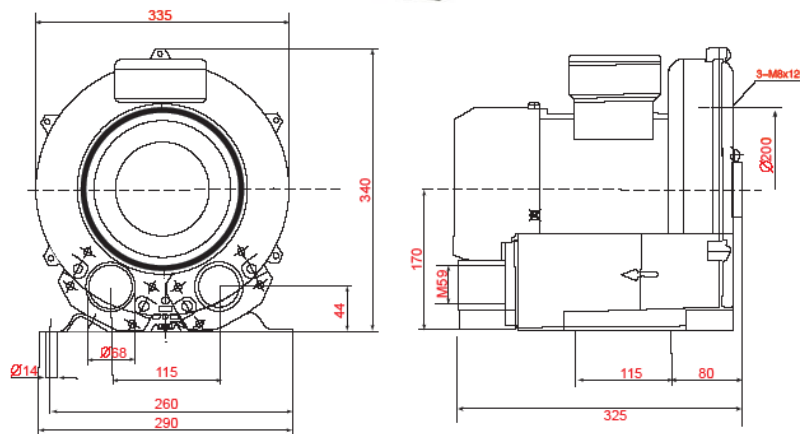
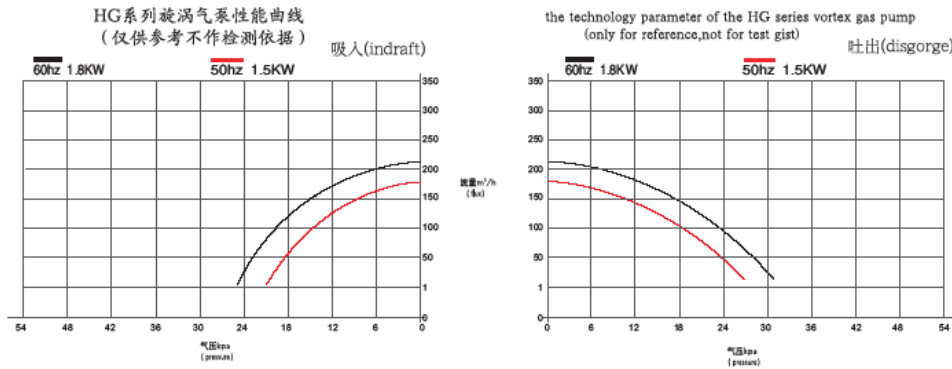


HG-1500SB



POSITION OF BEARING (FRONT MODEL): MIDDLE 6205 (BEARING MODEL); BACK 6204 (BEARING MODEL)



When ordering please indicate voltage and periodicity (any voltage are also ok)

| Type | Voltage V | Current A | Frequency Hz | Max. air pressure kPa | Max. flux m ³ /h | Max. vacuum degree -kPa | Power kW | Rotary speed r/min | Noise dB(A) | N.W. kg | G.W. kg | box up volumn cm ³ |
|-----------|--------------|--------------------------|--------------|-----------------------|-----------------------------|-------------------------|--------------|--------------------|-------------|---------|---------|-------------------------------|
| HG-1500B | 220 | 11.8 (14.16) | 50 (60) | 26 (31) | 180 (215) | 21 (25) | 1.5 (1.8) | 2800 (3400) | <60 | 24.2 | 25.2 | 41×38×42 |
| HG-1500SB | Δ220 Y380 | 5.96(8.20) 3.44(4.74) | 50 (60) | 26 (31) | 180 (215) | 21 (25) | 1.5 (1.8) | 2800 (3400) | <60 | 23 | 24 | 41×38×42 |

The data are only for reference in the form the factory does not issue a separate notice to data modification