

Structure and Material

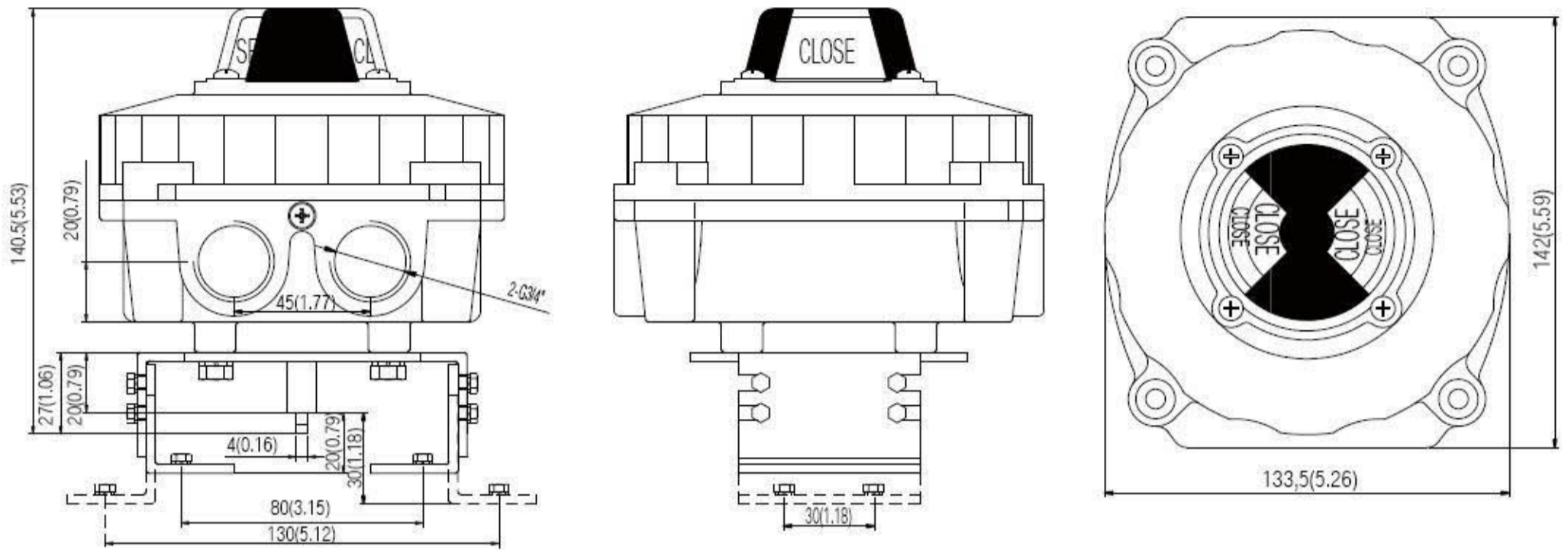


ATS-200	ATS-300	ATS-400	ATS-500
---------	---------	---------	---------

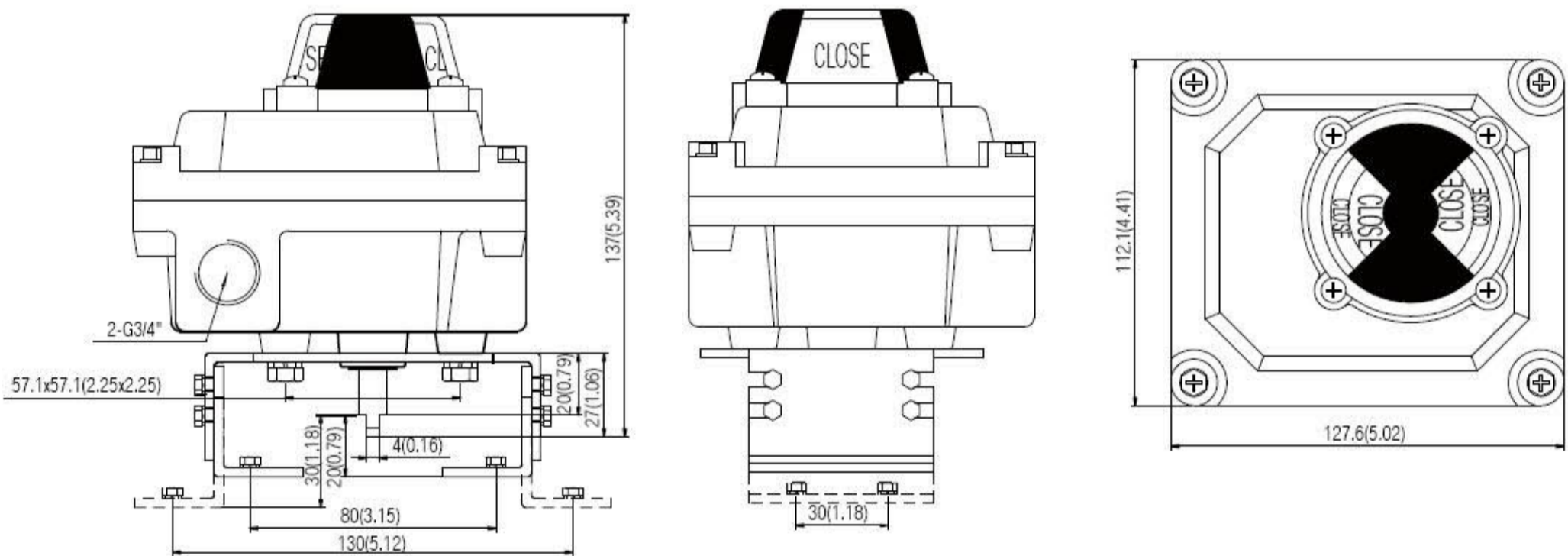
No.	Part Name	Qty.	Material
1	Box Cover	1	Aluminum Die Casting / Stainless Steel only for ATS-600
2	Box Body	1	Aluminum Die Casting / Stainless Steel only for ATS-600
3	Shaft	1	Stainless Steel
4	Indicator Cover	1	Polycarbonate
5	Indicator	1	ABS
6	Limit Switch	2	Mechanical/Proximity/ Magnet sensor
7	Terminal Strip	8-14	Polycarbonate, Tin Plated Brass, Stainless Steel
8	Cam	2	Polycarbonate
9	Spring	1	Stainless Steel
10	Cover Bolts	4	Stainless Steel
11	Shaft O-ring	2	NBR
12	Housing O-ring	1	NBR
13	Indicator O-ring	1	NBR
14	Bushing	2	Bronze
15	Earth Lug	1	Stainless Steel
16	E-ring	2	Stainless Steel

Dimension

ATS400



ATS500/600



Easy Mounting (30x80, 130H20, 30)

