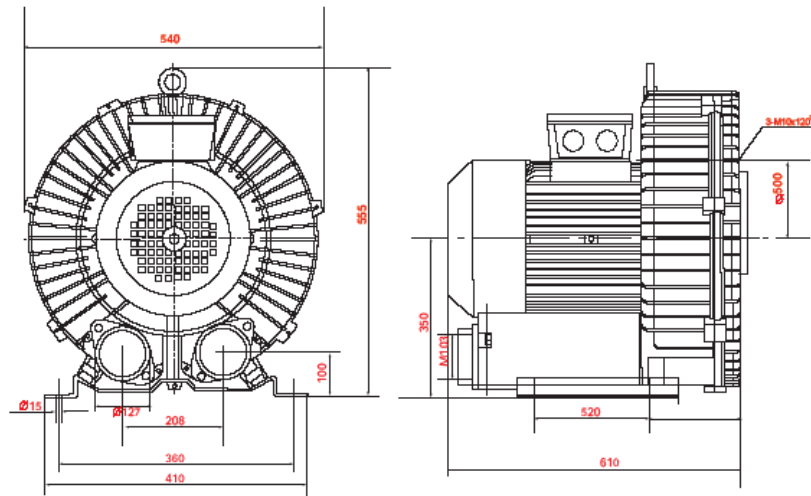
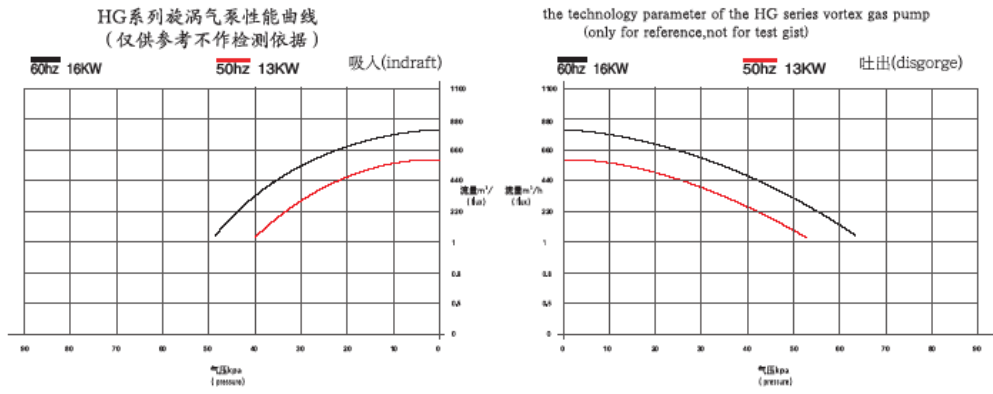


# HG-13000SB



POSITION OF BEARING (FRONT MODEL): MIDDLE 6308 (BEARING MODEL); BACK 6308 (BEARING MODEL)



When ordering please indicate voltage and periodicity (any voltage are also ok)

Type	Voltage V	Current A	Frequency Hz	Max. air pressure kPa	Max. flux m <sup>3</sup> /h	Max. vacuum degree -kPa	Power kW	Rotary speed r/min	Noise dB(A)	N.W. kg	G.W. kg	box up volumn cm <sup>3</sup>
HG-13000SB	Δ380	25.8 (31.0)	50 (60)	53 (64)	600 (720)	40 (48)	13 (16)	2800 (3400)	<70	132	150	82×70×80

The data are only for reference in the form the factory does not issue a separate notice to data modification