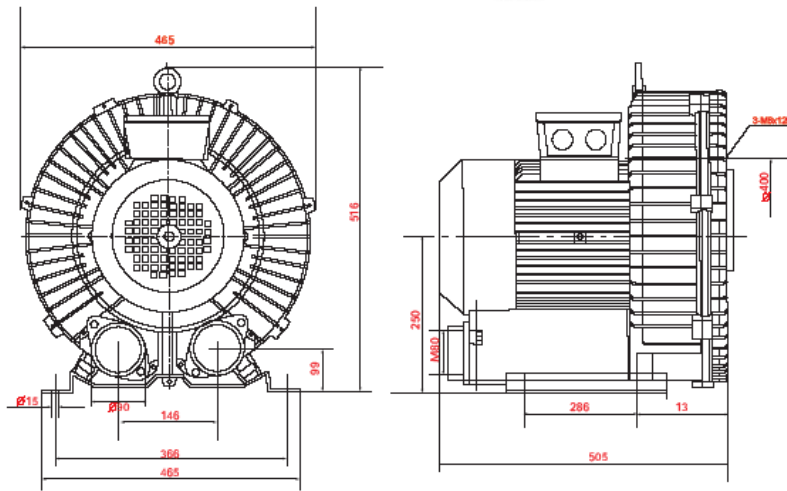
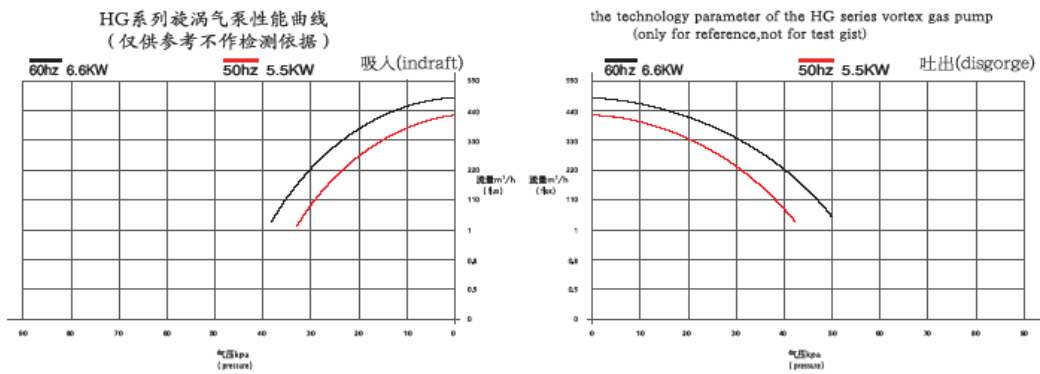


HG-5500SB



POSITION OF BEARING (FRONT MODEL): MIDDLE 6308 (BEARING MODEL); BACK 6308 (BEARING MODEL)



When ordering please indicate voltage and periodicity (any voltage are also ok)

Type	Voltage V	Current A	Frequency Hz	Max. air pressure kPa	Max. flux m ³ /h	Max. vacuum degree -kPa	Power kW	Rotary speed r/min	Noise dB(A)	N.W. kg	G.W. kg	box up volumn cm ³
HG-5500SB	Δ220 Y380	19.23(23.21) 11.1(13.4)	50 (60)	42 (50)	430 (516)	32 (38)	5.5 (6.6)	2800 (3400)	<70	81	94	65×60×66

The data are only for reference in the form the factory does not issue a separate notice to data modification