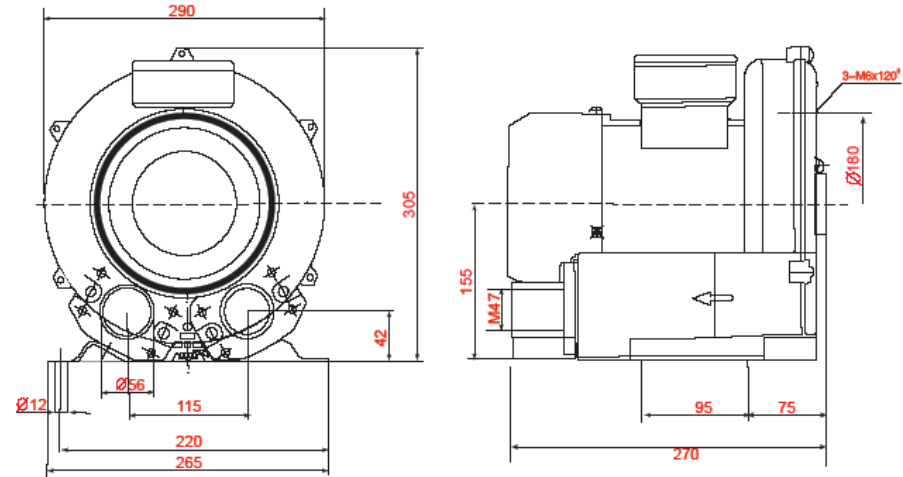


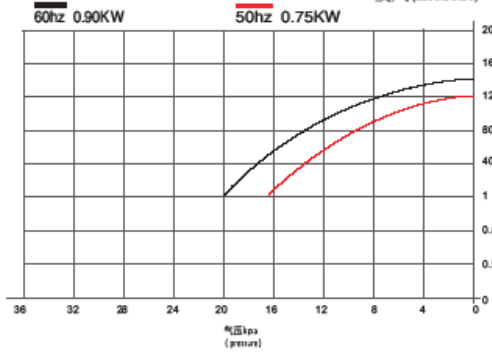
HG-750B/SB



POSITION OF BEARING (FRONT MODEL): MIDDLE 6204 (BEARING MODEL); BACK 6203 (BEARING MODEL)

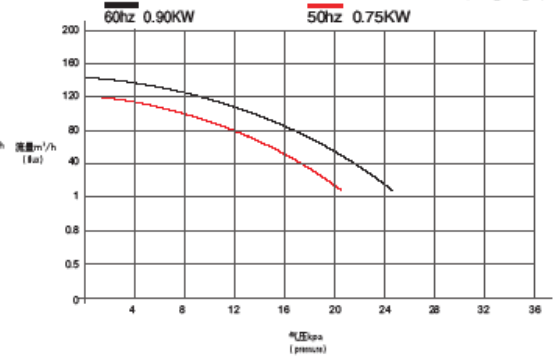
HG系列旋涡气泵性能曲线
(仅供参考不作检测依据)

吸入(indraft)



the technology parameter of the HG-series vortex gas pump
(only for reference,not for test gist)

吐出(disgorge)



When ordering please indicate voltage and periodicity (any voltage are also ok)

| Type | Voltage V | Current A | Frequency Hz | Max. air pressure kPa | Max. flux m ³ /h | Max. vacuum degree -kPa | Power kW | Rotary speed r/min | Noise dB(A) | N.W. kg | G.W. kg | box up volumn cm ³ |
|----------|--------------|---------------|-----------------|--------------------------|--------------------------------|----------------------------|----------------|-----------------------|----------------|------------|------------|----------------------------------|
| HG-750B | 220 | 6.3 (7.56) | 50 (60) | 21 (25) | 120 (145) | 17 (20) | 0.75 (0.90) | 2800 (3400) | <60 | 15.3 | 16.0 | 34×34×35 |
| HG-750SB | Δ220 Y380 | | 50 (60) | 21 (25) | 120 (145) | 17 (20) | 0.75 (0.90) | 2800 (3400) | <60 | 15.9 | 16.6 | 34×34×35 |

The data are only for reference in the form the factory does not issue a separate notice to data modification