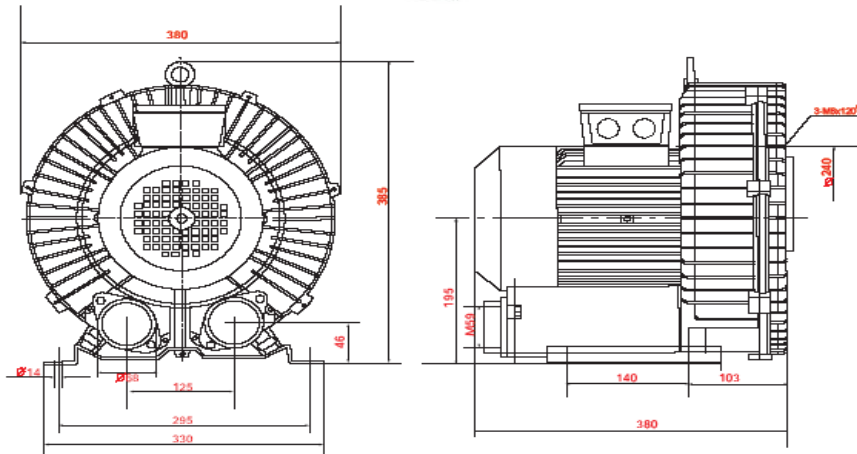
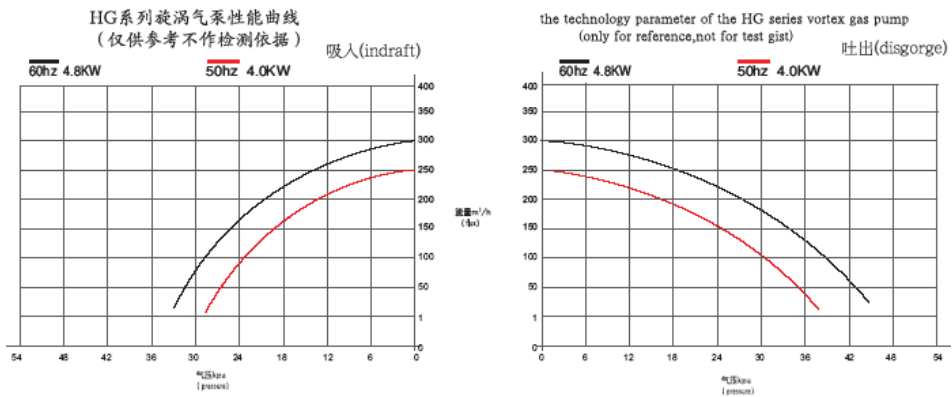


HG-4000SB



POSITION OF BEARING (FRONT MODEL): MIDDLE 6206 (BEARING MODEL); BACK 6205 (BEARING MODEL)



the technology parameter of the HG series vortex gas pump
(only for reference,not for test gist)

When ordering please indicate voltage and periodicity (any voltage are also ok)

Type	Voltage V	Current A	Frequency Hz	Max. air pressure kPa	Max. flux m ³ /h	Max. vacuum degree -kPa	Power kW	Rotary speed r/min	Noise dB(A)	N.W. kg	G.W. kg	box up volumn cm ³
HG-4000SB	Δ220 Y380	14.15(16.97) 8.17(9.8)	50(60)	38(45)	250(300)	28(33)	4.0(4.8)	2800 (3400)	<70	37.5	39	47×42×49

The data are only for reference in the form the factory does not issue a separate notice to data modificatio